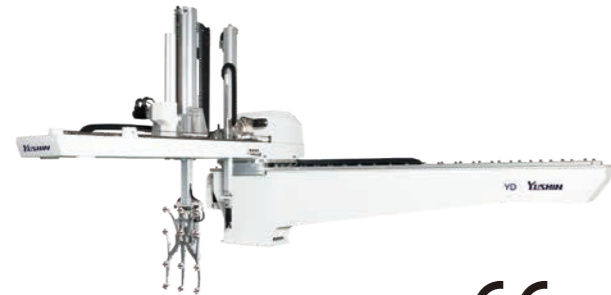


Separate catalog available

YD2-80100S/D

Productivity enhancement, downtime reduction, and environment-conscious models support easy introduction in low-clearance installations



For CE supported languages, please contact our sales department.

Clamping force 800 - 1000 tf

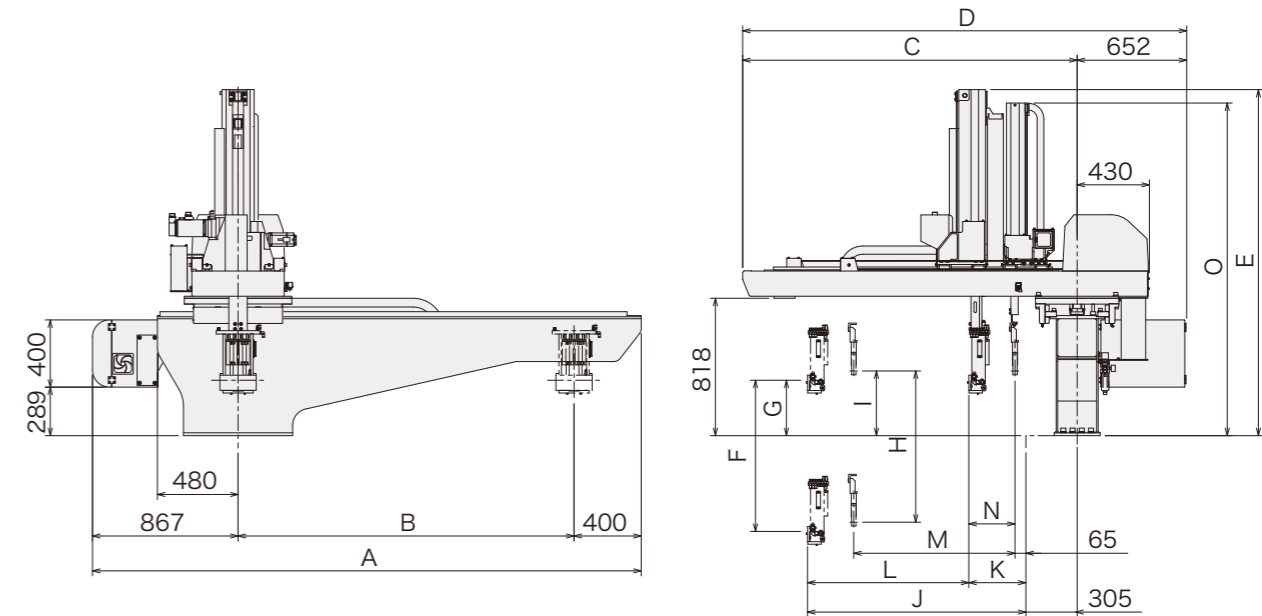
Vibration control

Optimized design + Power-saving

Low posture (Double speed mechanism)

All-axis servo-driven

Dimensional Drawings [mm]



[mm]

Model	A	B	C	D	E	F	G	H	I	J	K	L	M	N	O
YD2-80100S	3267 (3767)	2000 (2500)	1992	2644	2060 (2185)	1550 (1800)	330	—	—	1300	160	1140	—	—	—
YD2-80100D								1550 (1800)	385		340	960	960	275	1980 (2105)

() : Modified stroke

All-Axis Servo Driven Take-out Robot Enhancing Customer Profitability and Environmental Measures

Combining design optimization, CFRPv3, and vibration control contribute to shorter cycle time and stable take-out. We have refined our unique ECO Vacuum™ technology to reduce compressed air consumption even further. As a result, robot air consumption can be optimized and can reduce capital expenditures. The YD2-80100 is sized for molding machines with clamping forces from 800 to 1000 tf.

Equipped with E-touch compact 3 as standard



- Smart ECO Vacuum
- Take-out Diagnosis Function
- Torque Monitoring during Manual Operation

The E-touch compact 3 takes the easy operability of the previous YC series controller. And several assist features to become even easier to use.

Standard Specifications

Power supply		Drive method		Controller model		Working air pressure		Flip angle		
3-phase 200 VAC/220 VAC (50/60 Hz)		Digital servo motor 3/5-axis		E-touch compact 3		0.49 MPa		90°		
Model	Power consumption	Traverse stroke [mm]	Kick stroke [mm]		Vertical stroke [mm]		Air consumption [NL/cycle]	Payload [kg]	Noise [dBA]	Target IMM clamp capacity [tf]
			Main arm	Sub arm	Main arm	Sub arm				
YD2-80100S	2.5 kVA 200 VAC 9.1 A	2000 (2500)	1140	—	1550 (1800)	—	29.0 Smart ECO Vacuum OFF	25 (35)	75.9	800-1000
YD2-80100D	3.4 kVA 200 VAC 13.8 A	2000 (3000)	960	960	1550 (1800)	1550 (1800)	19.3 Smart ECO Vacuum ON			

S type : Robot is equipped with main arm only. D type : Robot is equipped with main arm and sub arm.
() : Modified stroke () : Increased maximum payload
Payload includes the end-of-arm tool.

Introducing our EXTRA catalog

Needs on the molding work floor

- Flexible handling of products
- Flexible cutting of products
- Round-the-clock operation and better labor saving
- Changeover improvement

Yushin has the solution for you. [WEB](#) [CATALOG YUSHIN](#)

YD2-80100S/D

All-Axis Servo Driven Type Take-Out Robot