

Separate catalog available

## YD2-5080S/D

Productivity enhancement, downtime reduction, and environment-conscious models support easy introduction in low-clearance installations



For CE supported languages, please contact our sales department.

Clamping force 500 - 800 tf

Vibration control

Optimized design + Power-saving

Low posture (Double speed mechanism)

All-axis servo-driven

### All-Axis Servo Driven Take-out Robot Enhancing Customer Profitability and Environmental Measures

Combining design optimization, CFRPv3, and vibration control contribute to shorter cycle time and stable take-out. We have refined our unique ECO Vacuum™ technology to reduce compressed air consumption even further. As a result, robot air consumption can be economized and can reduce capital expenditures. The YD2-5080 is sized for molding machines with clamping forces from 500 to 800 tf.

### Equipped with E-touch compact 3 as standard



- Smart ECO Vacuum
- Take-out Diagnosis Function
- Torque Monitoring during Manual Operation

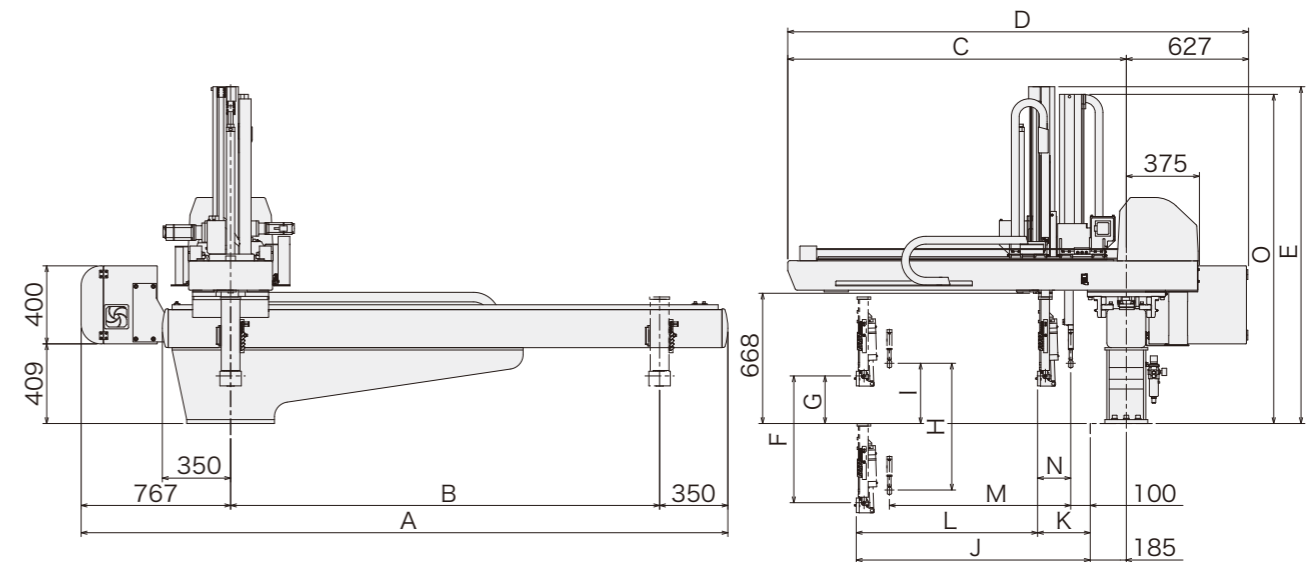
The E-touch compact 3 takes the easy operability of the previous YC series controller. And several assist features to become even easier to use.

### Standard Specifications

Power supply		Drive method		Controller model		Working air pressure		Flip angle		
1-phase 200 VAC/220 VAC (50/60 Hz)		Digital servo motor 3/5-axis		E-touch compact 3		0.49 MPa		90°		
Model	Power consumption	Traverse stroke [mm]	Kick stroke [mm]		Vertical stroke [mm]		Air consumption [NL/cycle]	Payload [kg]	Noise [dBA]	Target IMM clamp capacity [tf]
			Main arm	Sub arm	Main arm	Sub arm				
YD2-5080S	2.2 kVA 200 VAC 11.0 A	2200 (2500)	1060	—	1300 (1550)	—	18.0 Smart ECO Vacuum OFF 9.5 Smart ECO Vacuum ON	15 (20)	74.6	500-800
YD2-5080D	2.8 kVA 200 VAC 14.0 A		930	930	1300 (1550)	1300 (1550)				

S type : Robot is equipped with main arm only. D type : Robot is equipped with main arm and sub arm.  
 ( ) : Modified stroke ( ) : Increased maximum payload  
 Payload includes the end-of-arm tool.

### Dimensional Drawings [mm]



[mm]

Model	A	B	C	D	E	F	G	H	I	J	K	L	M	N	O
YD2-5080S	3317 (3617)	2200 (2500)	1737	2364	1727 (1852)	1300 (1550)	244	—	—	1200	140	1060	—	—	1688 (1813)
YD2-5080D								1300 (1550)	309		270	930	930	170	

( ) : Modified stroke