

Separate catalog available

YD2-3550S/D

Productivity enhancement, downtime reduction, and environment-conscious models support easy introduction in low-clearance installations

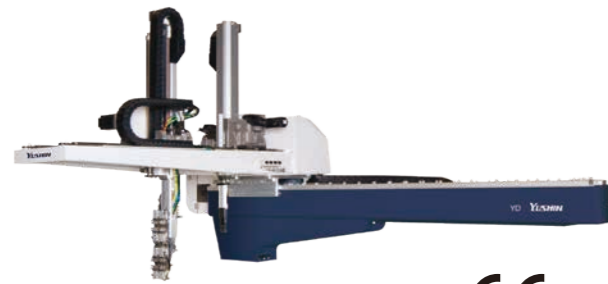
Clamping force 350 - 500 tf

Vibration control

Optimized design + Power-saving

Low posture (Double speed mechanism)

All-axis servo-driven



For CE supported languages, please contact our sales department.

All-Axis Servo Driven Take-out Robot Enhancing Customer Profitability and Environmental Measures

Combining design optimization, CFRPv3, and vibration control contribute to shorter cycle time and stable take-out. We have refined our unique ECO Vacuum™ technology to reduce compressed air consumption even further. As a result, robot air consumption can be economized and can reduce capital expenditures. The YD2-3550 is sized for molding machines with clamping forces from 350 to 500 tf.

Equipped with E-touch compact 3 as standard



- Smart ECO Vacuum
- Take-out Diagnosis Function
- Torque Monitoring during Manual Operation

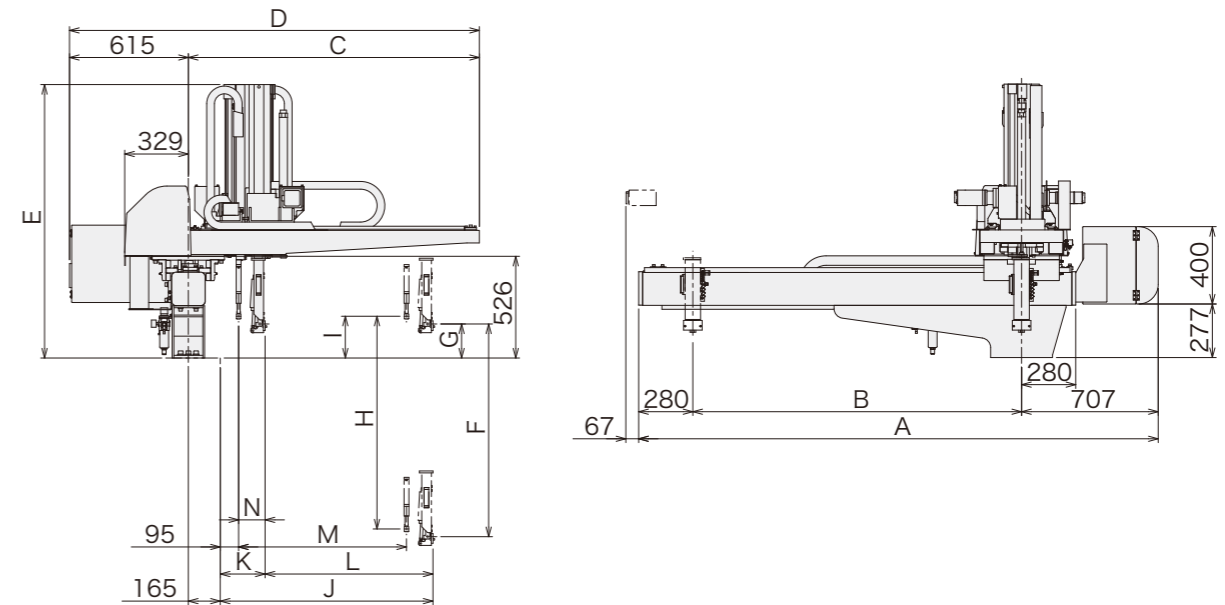
The E-touch compact 3 takes the easy operability of the previous YC series controller. And several assist features to become even easier to use.

Standard Specifications

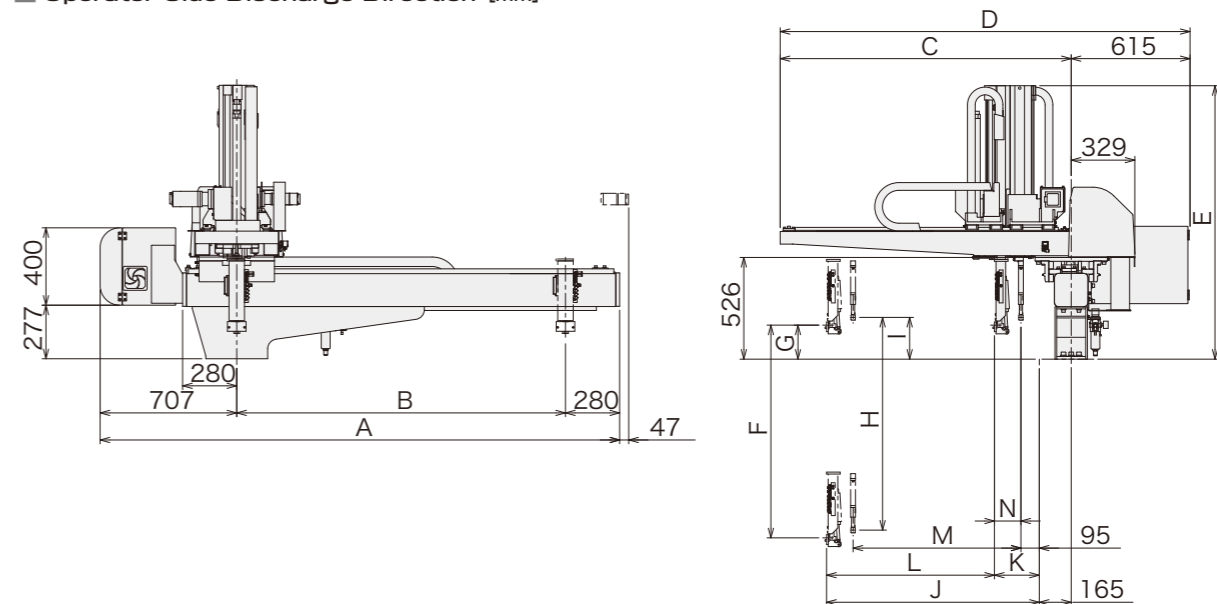
Power supply		Drive method		Controller model		Working air pressure		Flip angle		
1-phase 200 VAC/220 VAC (50/60 Hz)		Digital servo motor 3/5-axis		E-touch compact 3		0.49 MPa		90°		
Model	Power consumption	Traverse stroke [mm]	Kick stroke [mm]		Vertical stroke [mm]		Air consumption [NL/cycle]	Payload [kg]	Noise [dBA]	Target IMM clamp capacity [tf]
			Main arm	Sub arm	Main arm	Sub arm				
YD2-3550S	2.2 kVA 200 VAC 11.0 A	1700 (1900) (2200)	1000	—	1100 (1300)	—	11.0 Smart ECO Vacuum OFF	10 (15)	76.5	350-500
YD2-3550D	2.8 kVA 200 VAC 14.0 A	1700 (1900) (2500)	868	868	1100 (1300)	1100 (1300)	7.1 Smart ECO Vacuum ON			

S type : Robot is equipped with main arm only. D type : Robot is equipped with main arm and sub arm.
 () : Modified stroke (>) : Increased maximum payload
 Payload includes the end-of-arm tool.
 Traverse beam stanchion is standard equipment for traverse stroke over 1900 mm.

Rear (Non-operator) Side Discharge Direction [mm]



Operator Side Discharge Direction [mm]



[mm]

Model	A	B	C	D	E	F	G
YD2-3550S	2687 (2887)	1700 (1900)	1505	2120	1414 (1514)	1100 (1300)	176
YD2-3550D	(3187)	(2200)					
Model	H	I	J	K	L	M	N
YD2-3550S	—	—	1100	100	1000	—	—
YD2-3550D	1100 (1300)	216		232	868	868	137

() : Modified stroke