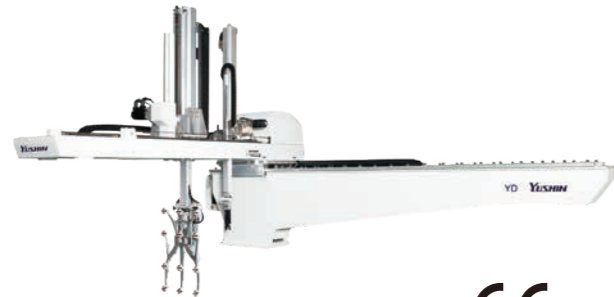


Separate catalog available

YD2-100130S/D

Productivity enhancement, downtime reduction, and environment-conscious models support easy introduction in low-clearance installations



For CE supported languages, please contact our sales department.

Clamping force 1000 - 1300 tf

Vibration control

Optimized design + Power-saving

Low posture
(Double speed mechanism)

All-axis servo-driven

All-Axis Servo Driven Take-out Robot Enhancing Customer Profitability and Environmental Measures

Combining design optimization, CFRPv3, and vibration control contribute to shorter cycle time and stable take-out. We have refined our unique ECO Vacuum™ technology to reduce compressed air consumption even further. As a result, robot air consumption can be economized and can reduce capital expenditures. The YD2-100130 is sized for molding machines with clamping forces from 1000 to 1300 tf.

Equipped with E-touch compact 3 as standard



- Smart ECO Vacuum
- Take-out Diagnosis Function
- Torque Monitoring during Manual Operation

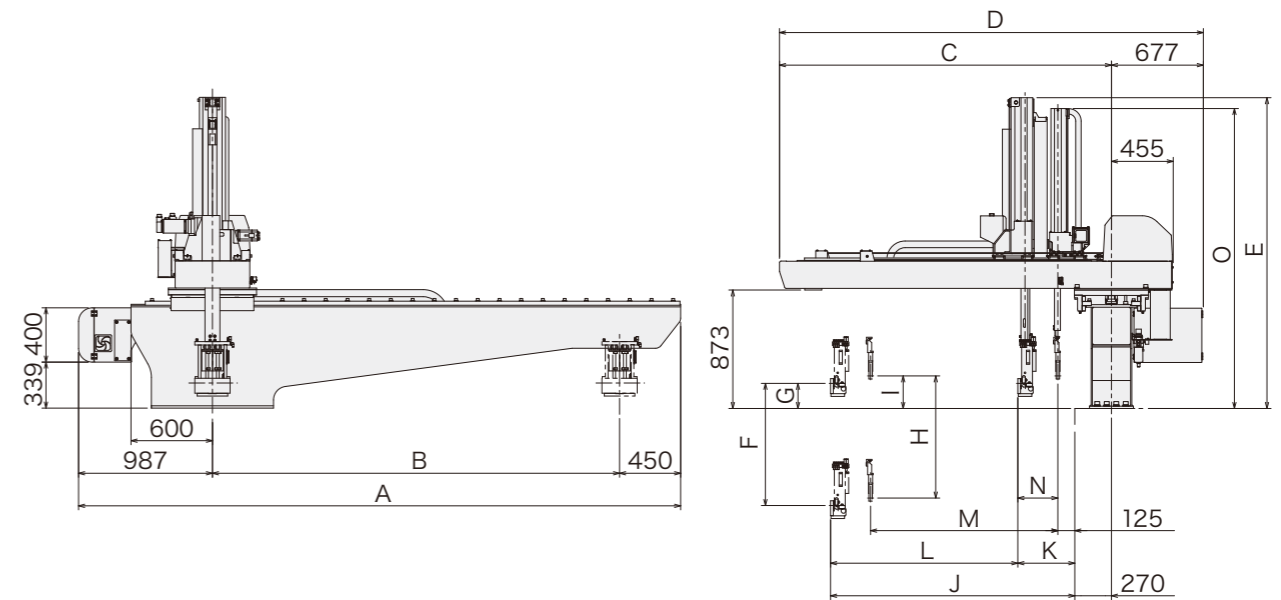
The E-touch compact 3 takes the easy operability of the previous YC series controller. And several assist features to become even easier to use.

Standard Specifications

Power supply		Drive method		Controller model		Working air pressure		Flip angle		
3-phase 200 VAC/220 VAC (50/60 Hz)		Digital servo motor 3/5-axis		E-touch compact 3		0.49 MPa		90°		
Model	Power consumption	Traverse stroke [mm]	Kick stroke [mm]		Vertical stroke [mm]		Air consumption [NL/cycle]	Payload [kg]	Noise [dBA]	Target IMM clamp capacity [tf]
			Main arm	Sub arm	Main arm	Sub arm				
YD2-100130S	2.5 kVA 200 VAC 9.1 A	3000 (3500)	1570	—	1800 (2100)	—	47.0 Smart ECO Vacuum OFF	35 (40)	77.1	1000-1300
YD2-100130D	3.4 kVA 200 VAC 13.8 A		1380	1380	1800 (2100)	1800 (2100)	33.9 Smart ECO Vacuum ON			

S type : Robot is equipped with main arm only. D type : Robot is equipped with main arm and sub arm.
() : Modified stroke () : Increased maximum payload
Payload includes the end-of-arm tool.

Dimensional Drawings [mm]



[mm]

Model	A	B	C	D	E	F	G	H	I	J	K	L	M	N	O
YD2-100130S	4437 (4937)	3000 (3500)	2447	3124	2290 (2440)	1800 (2100)	185	—	—	1800	230	1570	—	—	—
YD2-100130D								1800 (2100)	240	1800	420	1380	1380	295	2210 (2446)

() : Modified stroke

Introducing our Robot Tooling and Accessory Guide (EOAT Parts Catalog)

What are you looking for in end-of-arm tools?

- Make new tools
- Make tool exchanges more efficient
- Modifying or repairing parts



Yushin has the solution for you.

